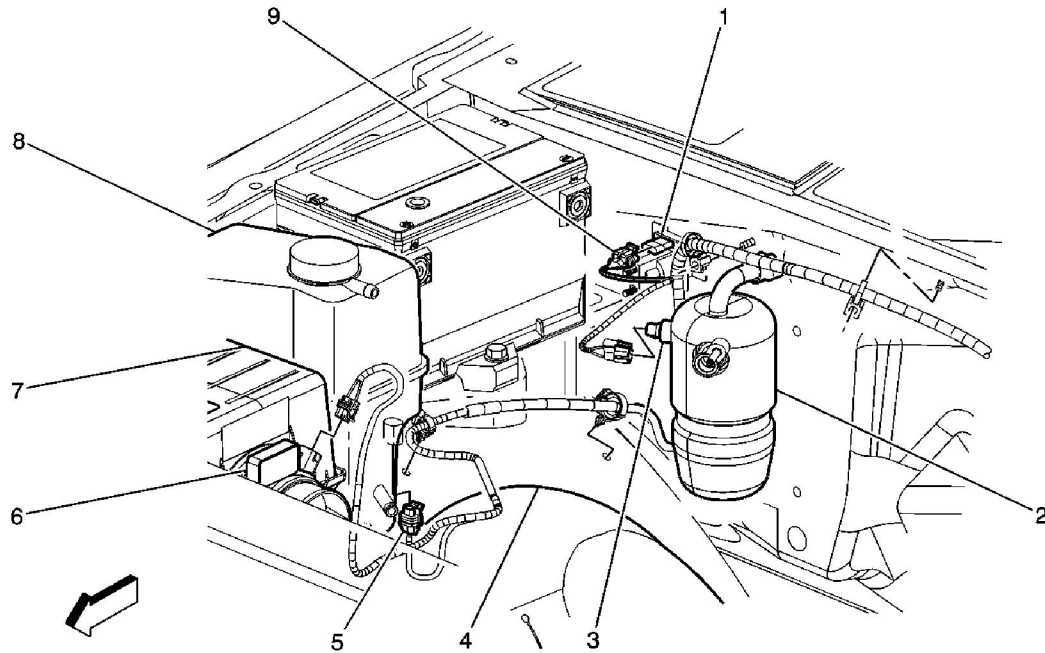


Auxiliary Battery Relay



- (1) Auxiliary Battery Relay
- (2) A/C Accumulator
- (3) A/C Low Pressure Switch
- (4) Inner Wheel Well
- (5) Engine Coolant Level Switch Electrical Connector
- (6) Mass Air Flow (MAF) Sensor
- (7) Air Cleaner Assembly
- (8) Engine Coolant Recovery Reservoir
- (9) Auxiliary Battery Relay Connector