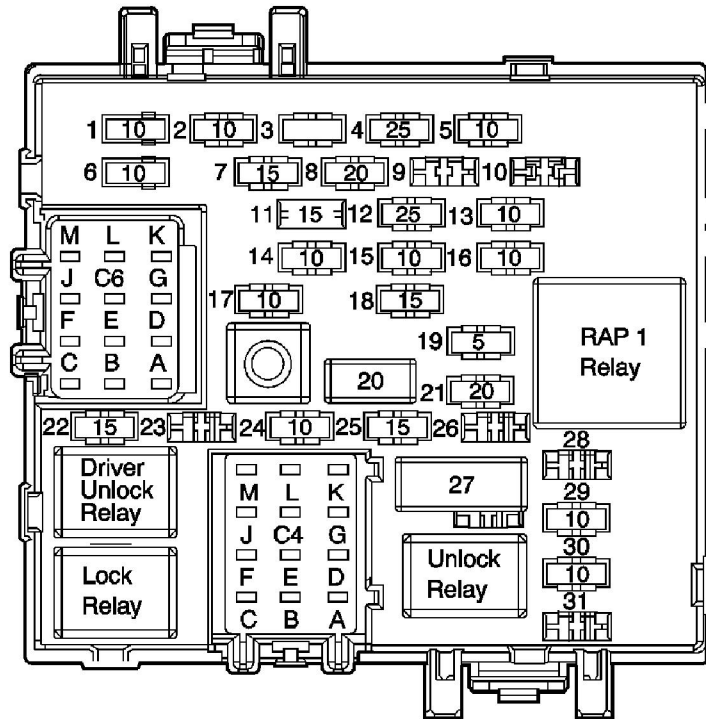


Electrical Center Identification Views

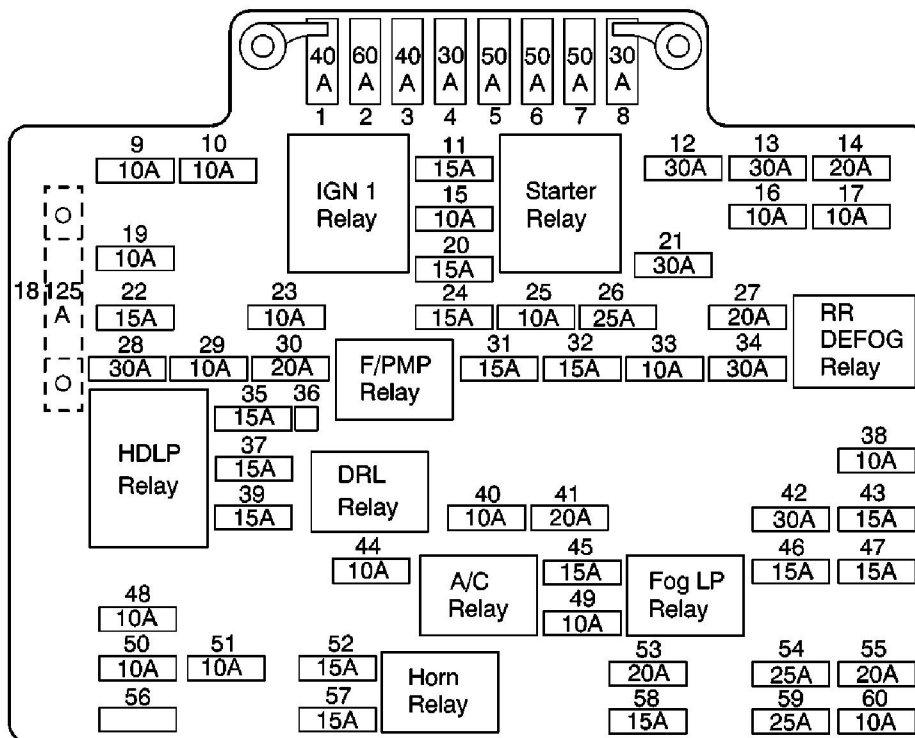


Fuse Block-Left I/P Fuse Application

| Fuse/Circuit Breaker | Rating | Description |
|---|--------|--|
| Important:: Numbers shown are to reference position only - component not marked. | | |
| HVAC 1 Fuse #1 | 10A | HVAC Control Module, Mode Door Motors/Actuators |
| IGN 3 Fuse #2 | 10A | Memory Seat Module, LH and RH Heated Seat Switch |
| BRAKE Fuse #3 | 10A | Electronic Brake Control Module (EBCM) |
| HTR A/C Fuse #4 | 25A | Blower Motor (all except high speed) |
| IGN 0 Fuse #5 | 10A | Automatic Transmission, Instrument Cluster, Vehicle Control Module (VCM)/Powertrain Control Module (PCM) |
| CRUISE Fuse #6 | 10A | Cruise Control Module, Cruise Control Switch, Instrument Cluster, Body Control Module (BCM) |
| 4WD Fuse #7 | 15A | Auxiliary Battery Relay, Front Axle Actuator/Switch, Automatic Transfer (ATC) Control Module, Vehicle Control Module (VCM) |
| TURN Fuse #8 | 20A | Feeds LT Turn and RT Turn Fuses - Turn Signals |
| RR WPR #11 | 15A | Rear Windshield Wiper |
| WS WPR Fuse #12 | 25A | Windshield Wiper, Windshield Washer Pump |
| SEO IGN Fuse #13 | 10A | Selectable Ride |
| ILLUM Fuse #14 | 10A | Instrument Cluster, Instrument Panel Switches (backlit) |

© 2016 General Motors Corporation. All rights reserved.

| | | |
|---------------------------|-----|---|
| IGN 1 Fuse #15 | 10A | Body Control Module (BCM), Instrument Cluster, Automatic Day-Night |
| SEO ACCY Fuse #16 | 10A | Body Builder Provision |
| CRANK Fuse #17 | 10A | Starter Relay |
| AIR BAG Fuse #18 | 15A | Inflatable Restraint Sensing and Diagnostic Module, Inflatable Restraint Instrument Panel Module Switch |
| MIR/LOCK Fuse #19 | 3A | Power Mirrors, Memory Seat Switch, Power Door Lock Relays |
| SEATS Circuit Breaker #20 | 25A | Power Seats, Memory Seats (LH and RH) |
| DR LOCK Fuse #21 | 20A | Power Door Lock Actuators |
| LOCK Fuse #22 | 15A | Power Door Locks (Actuators) |
| INT PK Fuse #24 | 10A | Ash Tray Lamp, Cupholder, Radio Display Lighting, Center Roof Markers, Back Lighting for: Door Switches; Heated Seat Switches; Sunroof Switch |
| UNLOCK Fuse #25 | 15A | Power Door Locks (Actuators) |
| PWR WDO (CB) #27 | 25A | Power Windows (Uplevel Vehicle) |
| RDO I Fuse #29 | 10A | Radio (Base Vehicle) |
| RAP 2 #30 | 10A | RAP 2 Relay Power-Fuse |
| UNLOCK JMPR (Relay/Fuse) | 30A | Power Door Locks (non-Keyless Entry) |





Fuse Block - Underhood Fuse Application

| Fuse/Circuit Breaker | Rating | Description |
|---|--------|---|
| Important:: Numbers shown are to reference position only - component not marked. | | |
| STUD 1 Fuse #1 | 40A | Trailer Wiring/Automatic Level Control Compressor |
| ABS Fuse #2 | 60A | Brake Pressure Modulator Valve (Pump) |
| IGN A Fuse #3 | 40A | Starter Relay, Ignition Switch-IGN 1, TURN, SEO IGN Fuses |
| AIR Fuse #4 | 30A | Secondary Air Injection Reaction Pump |
| RAP #1 Fuse #5 | 50A | Rap Relay, MIR/LOCK DR LOCK Fuses and SEATS Circuit Breaker |
| IGN B Fuse #6 | 50A | Ignition Switch-Rap Relay, Wiper/Washer and SEO ACCY Fuses |
| RAP 2 Fuse #7 | 50A | Power Window RF switch, Power Window RR Switch, Power Sunroof |
| STUD 2 Fuse #8 | 30A | Body Wiring Provisions, Trailer Wiring |
| TRL R TRN 9 | 10A | Trailer Turn and Stop |
| TRL L TRN Fuse #10 | 10A | Trailer Turn |
| INJ B Fuse #11 (Gas) | 15A | Fuel Injectors 2, 4, 6, and 8, Ignition Coils |
| INJ B Fuse #11 (Diesel) | 25A | Fuel Injection Control Module (FICM) |
| PARK LP Fuse #12 | 30A | Park Lamp Relay, Headlamp and Panel Dimmer Switch-Park Lamps |
| FRT HVAC Fuse #13 | 30A | Blower Motor (High Speed) |
| STOP LP Fuse #14 | 20A | VEH STOP and CHMSL Fuses, Trailer Wiring (LH, RH Turn and Stop Lamp) |
| PCM 1 Fuse #15 | 10A | Powertrain Control Module (PCM)-(from IGN 1 Relay) |
| CHMSL Fuse #16 | 10A | Center High Mounted Stop Lamp |
| VEH STOP Fuse #17 | 10A | Vehicle Stop Lamps |
| TRL B/U Fuse #19 | 10A | Trailer Backup Lamps |
| INJA Fuse #20 | 15A | Fuel Injectors 1, 3, 5, and 7, Ignition Coils, Glow Plug Module, Fuel Heat, Water in Fuel (WIF) Sensor, Wastegate Solenoid |
| RR HVAC Fuse #21 | 30A | Rear Heater, Rear Blower Relays |
| VEH B/U Fuse #22 | 15A | Vehicle Backup Lamps |
| ENG 1 Fuse #23 | 10A | Mass Air Flow (MAF) Sensor, Camshaft Position (CMP) Sensor, Evaporator Emission (EVAP) Canister Vent Valve, Evaporative Emission (EVAP) C Purge Valve |
| ETC Fuse #24 | 15A | Electronic Throttle Control (ETC) |
| IGN E Fuse #25 | 10A | A/C Compressor Clutch Relay, DRL Relay, Rear Defog Relay, Secondary Injection Reaction Pump Relay |

| | | |
|------------------------------|-----|---|
| B/U LP Fuse #26 | 25A | Backup Lamps, BTSI |
| ATC Fuse #27 | 20A | Automatic Transfer Case (ATC) Control Module, Encoder Motor |
| RTD Fuse #28 | 30A | Real Time Damping (RTD) |
| RR PRK Fuse #29 | 10A | RR Park Lamps |
| ECM B Fuse #30 | 20A | Fuel Pump Relay, Vehicle Control Module (VCM)/Powertrain Control Module (PCM) |
| O2 A Fuse #31 (Gas) | 15A | Heated Oxygen Sensors |
| FUEL HT Fuse #31 (Diesel) | 15A | Intake Air Heater, Glow Plug Controller, Fuel Heater |
| O2 B Fuse #32 (Gas) | 15A | Heated Oxygen Sensors |
| ECM I Fuse #32 (Diesel) | 10A | Engine Control Module (ECM) |
| LR PRK Fuse #33 | 10A | LR Park Lamps |
| RR DEFOG Fuse #34 | 30A | Rear Window Defogger |
| TRL PRK Fuse #35 | 15A | Trailer Park |
| PRIME #36 | -- | Fuel Pump Prime Port |
| RT HDLP Fuse #37 | 15A | RH Headlamps (Hi and Low) |
| HTD MIR Fuse #38 | 10A | Heated Outside Mirrors |
| LT HDLP Fuse #39 | 15A | LH Headlamps (Hi and Low) |
| A/C Fuse #40 | 10A | A/C Compressor Clutch |
| AUX PWR Fuse #41 | 20A | Auxiliary Power Outlets |
| SEO 2 Fuse #42 | 30A | Roof Beacon and Relay, Full Feature Seat - LH and RH |
| SEO 1 Fuse #43 | 15A | Roof Beacon Switch, Cellular Phone Wiring Provisions |
| DRL Fuse #44 | 10A | Daytime Running Lamps (DRL) |
| FOG LP Fuse #45 | 15A | Fog Lamps |
| RADIO Fuse #46 | 15A | Radio and Instrument Cluster |
| CIGAR Fuse #47 | 15A | Data Link Connector, Cigar Lighter |
| RT TURN Fuse #48 | 10A | RH Turn Signals |
| BTSI Fuse #49 | 10A | Automatic Transmission Shift Lock Control Solenoid |
| LT TURN Fuse #50 | 10A | LH Turn Signals |
| FR PRK Fuse #51 | 10A | Front Park Lamps |
| W/W PMP Fuse #52 | 15A | Windshield Washer Pump |
| IGN C Fuse #53 | 20A | Ignition Switch, Crank, IGN 0 Fuses |

| | | |
|------------------|-----|--|
| RDO AMP Fuse #54 | 25A | Radio/Audio Systems Amplifier |
| HAZ LP Fuse #55 | 20A | Hazard Lamps |
| EXP LPS Fuse #56 | 10A | Not Used |
| HORN Fuse #57 | 15A | Horn/Horn Relay |
| CTSY LP Fuse #58 | 15A | Inadvertent Power Relay (Courtesy Lamps) |
| RR WPR Fuse #59 | 25A | RR Wiper Washer, RR Wiper Motor |
| TBC Fuse #60 | 10A | Body Control Module |

Figure 1: [Relay Block - Body \(2002\)](#)

Figure 2: [Fuse Block - Right I/P](#)