

Document ID# 734554

2001 GMC Truck GMC K Sierra - 4WD  
2GTEK69U711xxxxxx

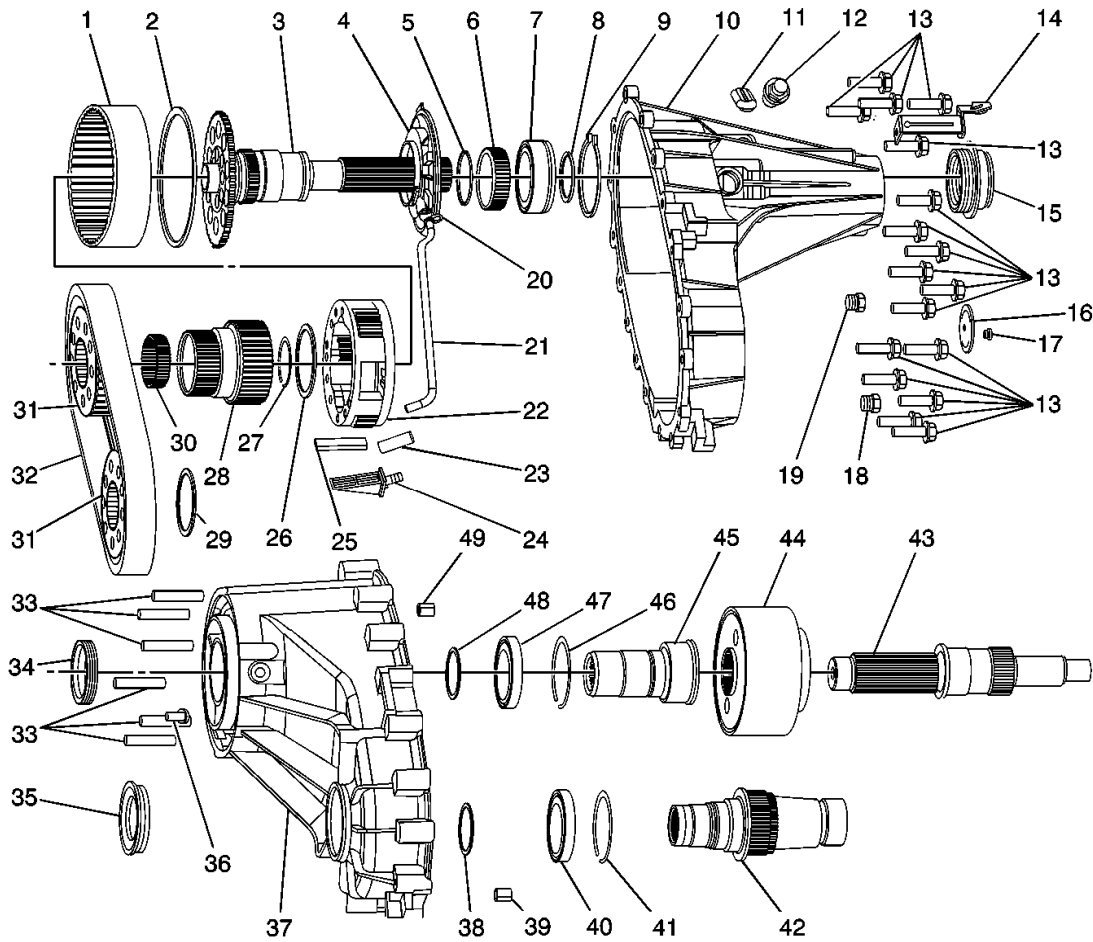
<- Back

Forward ->

Print

# Transfer Case Disassembled View

**FIGURE NVG 149(c)**



- (1) Annulus Gear
- (2) Retaining Ring
- (3) Rear Output Shaft
- (4) Oil Pump Assembly
- (5) Retaining Ring
- (6) Tone Wheel

- (7) Rear Output Shaft Bearing
- (8) Retaining Ring
- (9) Retaining Ring
- (10) Rear Case
- (11) Plug
- (12) Speed Sensor
- (13) Bolt
- (13) Bolt
- (13) Bolt
- (13) Bolt
- (14) Bracket
- (15) Rear Output Shaft Seal
- (16) Identification Tag
- (17) Screw
- (18) Drain Plug
- (19) Fill Plug
- (20) Oil Seal
- (21) Oil Tube
- (22) Carrier Assembly
- (23) Connector Tube
- (24) Oil Screen
- (25) Magnet
- (26) Sun Gear Thrust Washer
- (27) Retaining Ring
- (28) Sun Gear
- (29) Retaining Ring
- (30) Needle Roller Bearing
- (31) Sprocket
- (31) Sprocket
- (32) Chain
- (33) Stud
- (33) Stud
- (34) Input Gear Seal
- (35) Front Output Seal
- (36) Vent Assembly
- (37) Front Case
- (38) Retaining Ring
- (39) Split Dowel
- (40) Front Output Bearing
- (41) Retaining Ring
- (42) Front Output Shaft

(42)

Mainshaft

- (44) Viscous Coupling
- (45) Input Gear
- (46) Retaining Ring
- (47) Input Gear Bearing
- (48) Retaining Ring
- (49) Split Dowel

---

[<- Back](#)

[Forward ->](#)

**Document ID# 734554**  
**2001 GMC Truck GMC K Sierra - 4WD**  
**2GTEK69U711xxxxxx**

[Print](#)