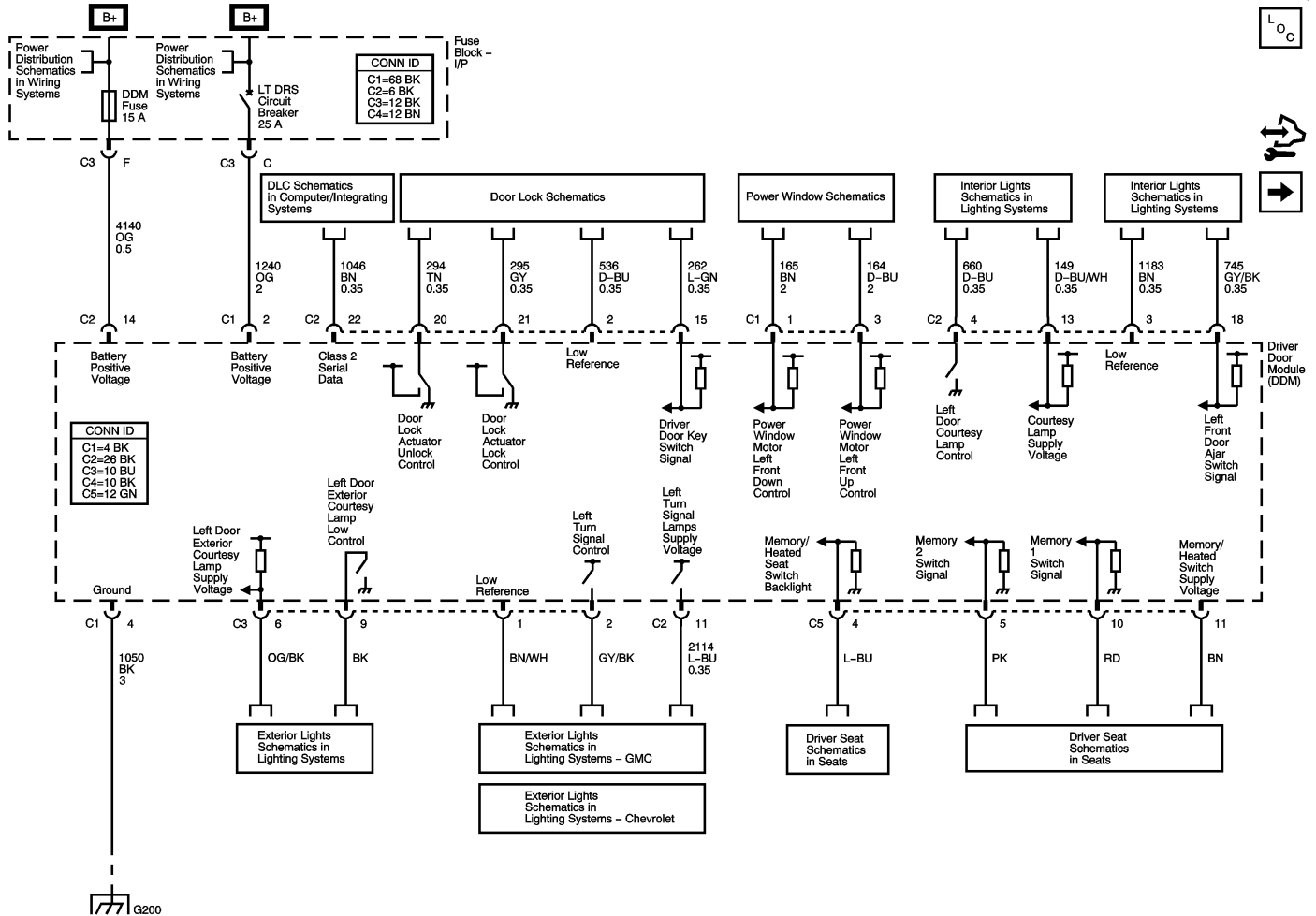


DRIVER DOOR MODULE (DDM) POWE...

DRIVER DOOR MODULE (DDM) POWER, GROUND, SERIAL DATA, AND REFERENCES 1 OF 2 (DOORS)

Document ID# 1572429

Driver Door Module (DDM) Power, Ground, Serial Data, and References 1 of 2



"Portions of materials contained herein have been reprinted with permission of General Motors Corporation, Service and Parts Operations" License Agreement #0410810.

Copyright 2007 - 2012 Service Repair Solutions, Inc.

