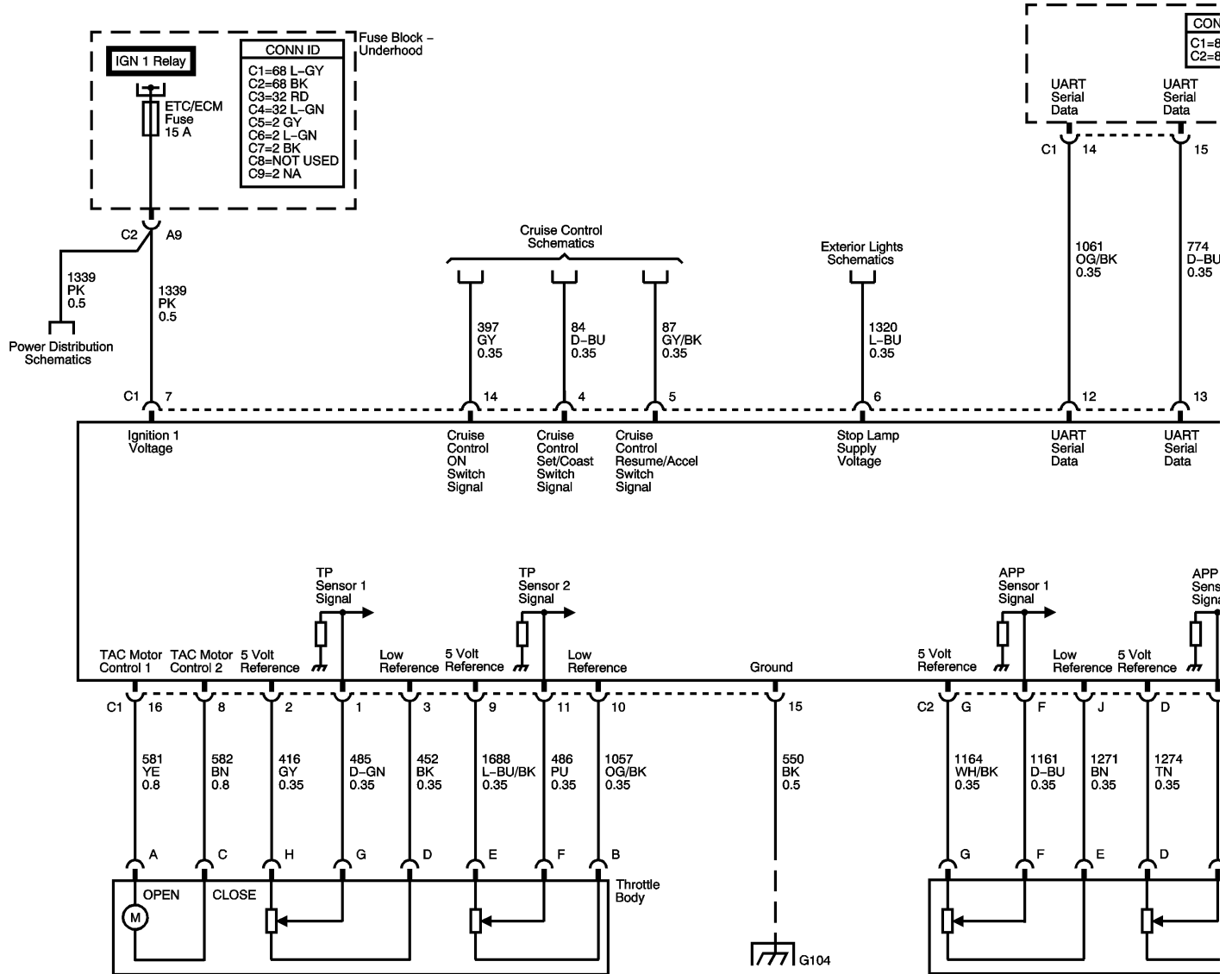


# ENGINE DATA SENSORS...

## ENGINE DATA SENSORS – ELECTRONIC THROTTLE CONTROLS (ENGINE CONTROLS AND FUEL - 4.8L, 5.3L, AND 6.0L)

### Engine Data Sensors – Electronic Throttle Controls



"Portions of materials contained herein have been reprinted with permission of General Motors and Parts Operations" License Agreement #0410810.

Copyright 2007 - 2012 Service Repair Solutions, Inc.

